

# SPECIFICATIONS

MODEL	SET Series							
	SET-28		SET-32			SET-36		
	SET-2860	SET-2880	SET-28120	SET-28160	SET-28200	SET-28240	SET-28280	SET-28320
ITEM	SET-3260	SET-3280	SET-32120	SET-32160	SET-32200	SET-32240	SET-32280	SET-32320
	SET-3660	SET-3680	SET-36120	SET-36160	SET-36200	SET-36240	SET-36280	SET-36320
<b>CAPACITY</b>								
Swing Over Bed	730 mm (28.74")		830 mm (32.67")			930 mm (36.61")		
Swing Over Cross Slide	500 mm (19.68")		600 mm (23.62")			700 mm (27.55")		
Swing in Gap	1000 mm (39.37")		1100 mm (43.3")			1200 mm (47.24")		
Width of Gap	255 mm (10.03")							
Distance Between Centers	1500 mm(60")	2000 mm(80")	3000 mm(120")	4000 mm(160")	5000 mm(200")	6000 mm(240")	7000 mm(280")	8000 mm(320")
<b>HEAD STOCK</b>								
Spindle Bore	153 mm (6") / *105 mm (4") / *230 mm (9") (optional)							
Spindle Nose	A2-11 / * D1-11 / *A2-15 (optional)							
Taper of Center	M.T. No.5 / * M.T. No.6 (optional)							
Range of Spindle Speeds	15-1000 / * 10-700 RPM (optional)							
Number of Spindle Speeds	12 Changes							
<b>FEEDS &amp; THREADS CUTTING</b>								
Longitudinal Feeds	0.05-0.7 mm/rev							
Cross Feeds	0.025-0.35 mm/rev							
Inch Threads	2-28 Thread/in, (D.P. 4-56)							
Metric Threads	0.8-14 mm/Thread, (M.P. 0.5-7)							
Leadscrew	045 mm (1-3/4") x 2T.P. I. / * P 12 mm (OPT)							
<b>CARRIAGE</b>								
Cross Slide Travel	425 mm (16-1/2")							
Compound Rest Travel	250 mm (10")							
<b>TAILSTOCK</b>								
Quill Diameter	95 mm (3-3/4")/* 105 mm (4-1/8") (OPTION)							
Quill Travel	230 mm (9")							
Taper of Quill Center	M.T. No.5 / * M.T. No.6 (OPTION)							
<b>BED (ONE-PIECE MACHINE BED WHICH IS MOST SUITABLE FOR HEAVY DUTY MACHINING)</b>								
Width of Bed	460 mm (18.11")							
Length of Bed	3050 mm(120")	3550 mm(140")	4550 mm(180")	5550 mm(219")	6550 mm(258")	7550 mm(298")	8550 mm(338")	9550 mm(378")
Main Motor	25 HP x 4P							
Weight (Approx)	5400 kg	5800 kg	6600 kg	7400 kg	8200 kg	9000 kg	9800 kg	11000 kg
Packing Size (LxWxH)	3500x1600 x 1900 mm	4000x1600 x 1900 mm	5000x 1600 x 1900 mm	6000x1600 x 1900 mm	7000x1600 x 1900 mm	8000x1600 x 1900 mm	9000x1600 x 1900 mm	10000x1600 x 1900 mm

\*Specifications are subject to change without notice for further design improvement.

## STANDARD ACCESSORIES

Electromagnetic Brake	1 SET
Longitudinal Rapid Traverse Device	1 SET
Center Sleeve	1 PC
Center (M.T.5#)	2 PCS
Tool Post Wrench	1 PC
Anchor Bolt	1 SET
Tool Box & Tool	1 SET
Coolant Pump	1 SET
Work Light	1 PC
Splash Guard	1 PC
Steady Rest 11.8"	1 SET
Double Chuck Attachment	1 SET
Full Length Rear Splash Guard	1 SET

## OPTIONAL ACCESSORIES

4-Way Rapid Traverse Device
4-Jaw Independent Chuck
4-Jaw Face Chuck
3-Jaw Scroll Chuck
Face Plate
Taper Attachment
DRO (Digital Read Out)
Steady Rest 17.7"
Steady Rest 19.68"
Steady Rest 23.62"
Follow Rest 8.6"



# HEAVY DUTY PRECISION LATHE



## ACRA MACHINERY, INC

13173 Arrow Route, Rancho Cucamonga, CA 91739

TEL: (909) 899-3000

Fax: (909) 899-8188

E-Mail: info@acramachinery.com

Manufacturer: SUN FIRM MACHINERY IND. CO., LTD.

No.155, Gongye 11th Rd., Dali Dist., Taichung City 41280, Taiwan



# ACRA

## HEADSTOCK

- All gears and mandrel are made of alloy steel with heat treatment and precision ground.
- Rotating type speed changing system is easy to operate.

## SPINDLE

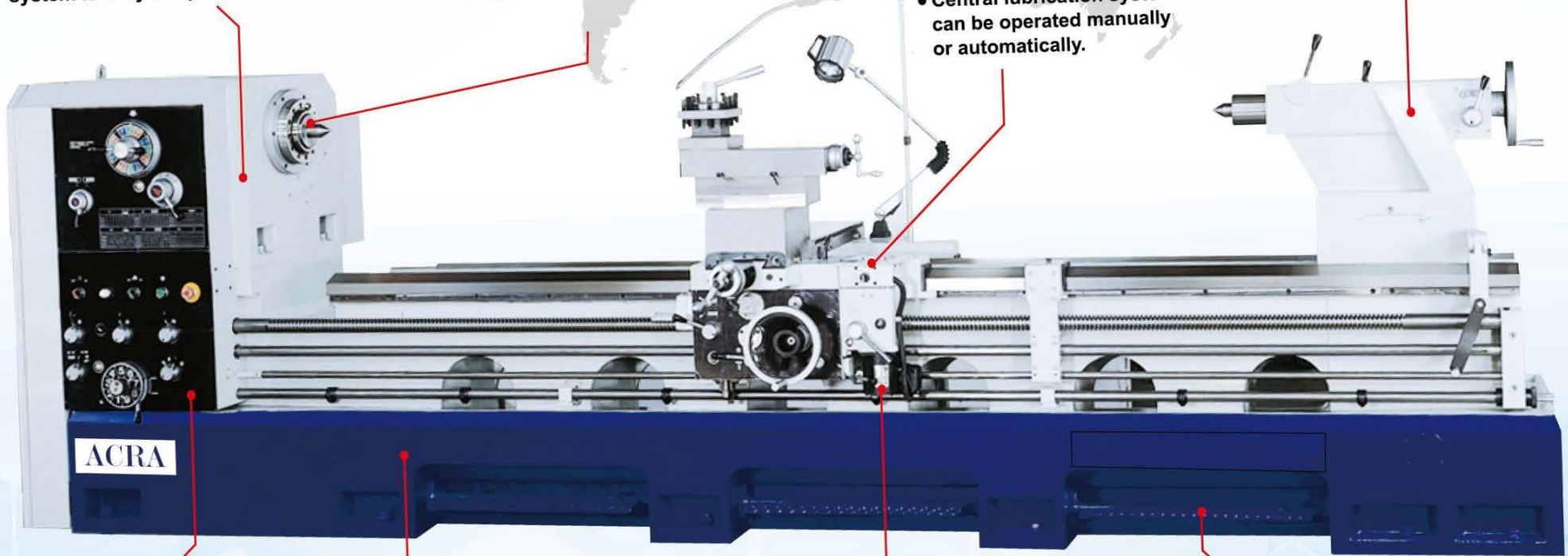
- Large bore spindle, supported by 3-point precision bearings.
- Suitable for heavy-duty cutting.
- Spindle Bore size wide selections- 105mm (4"), 153mm (6"), 230mm (9")

## APRON & SADDLE

- Easy-operated overload protect safety devise.
- Central lubrication system can be operated manually or automatically.

## TAILSTOCK

- With speed reduced quill suitable for heavy duty drilling, hand wheel is with dual dial.



## GEAR BOX

- Universal gear box design, is able to cut metric thread, Imperial thread, module thread without changing gears.

## LATHE BED

- High tensile ribs structure. high precision and wide bed surface.
- With hardened and precision ground.
- One piece structure lathe bed enhances the machine life and working performance

## AUTO LONGITUDINAL STOP

- Auto longitudinal travel devise will control the feed of tool post.

## EMERGENCY BRAKE SYSTEM

- More safe emergency brake system can shut off power supply simultaneously.