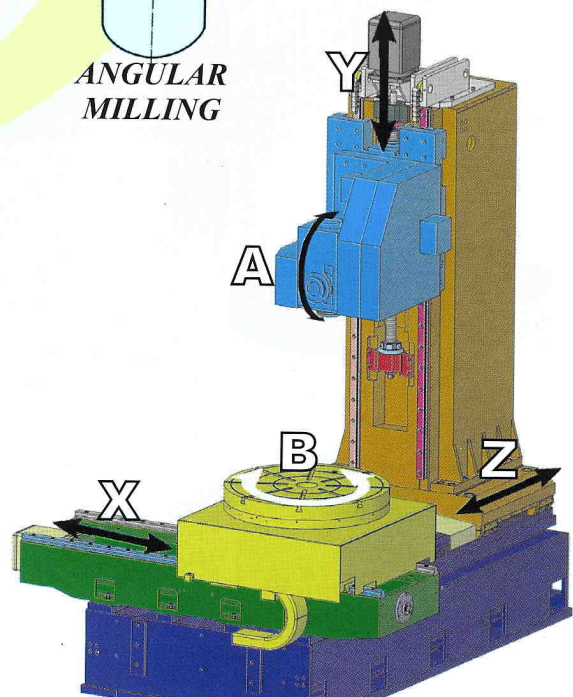


# Horizontal Machining Center Machining And Turning Center Productivity...Profitability

JSC "Sterlitamak MTE's" 800VHT bridges the gap in manufacturing processes by combining both Turning and Machining in a Single Technologically Advanced Machine Tool.



X-Axis: Longitudinal Travel Of Table  
Y-Axis: Vertical Travel Of Spindle Head  
Z-Axis: Cross Travel Of Column  
A-Axis: Swivelling Of Spindle  
C-Axis: Rotation Of Table