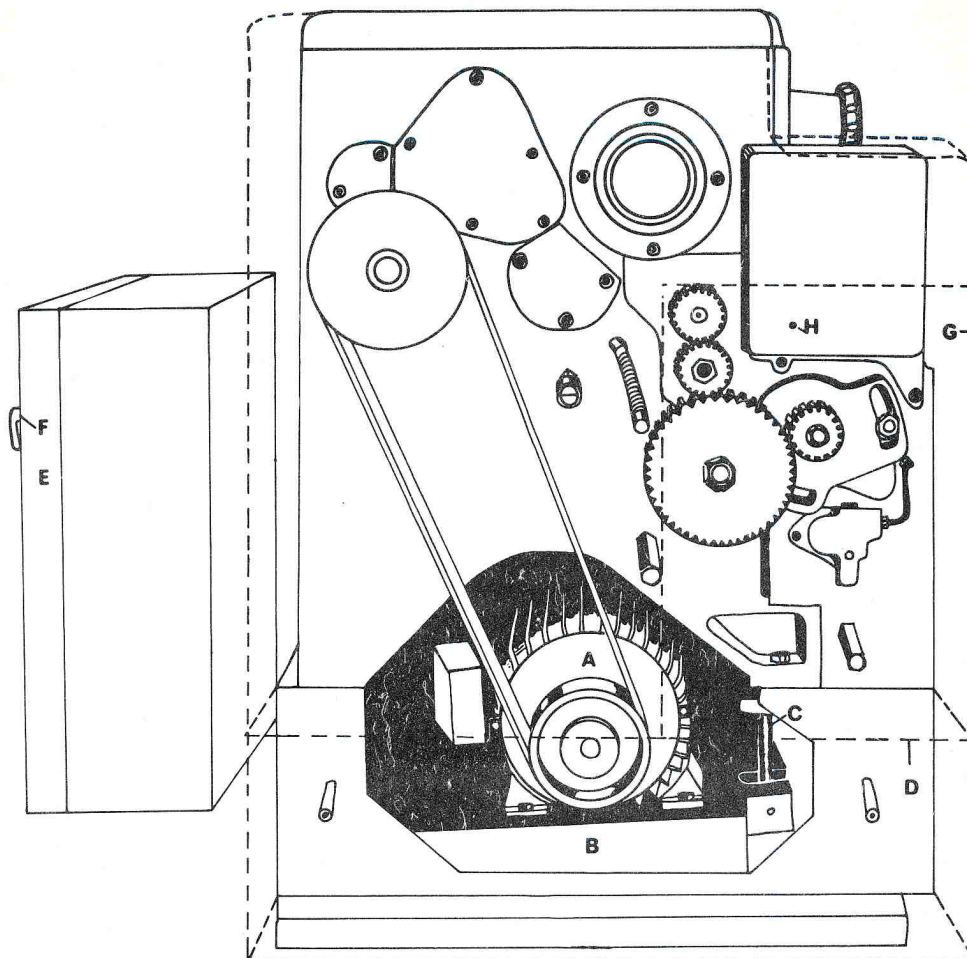


12.1 ELECTRICS & MOTOR DRIVE



The machine is delivered completely wired in accordance with the wiring diagrams (section 12.2 or 12.3) & is ready for connection to the mains supply as previously described (section 2.6). The whole of the electrical equipment conforms to the B. S. I. requirements for machine tools No. BS.2771 1956.

The main drive motor is totally enclosed type with ball bearings & requires no attention apart from cleaning & maintenance according to the manufacturers recommendations.

The drive motor 'A' is mounted on an anti-vibration hinged baseplate 'B' & is housed under the headstock in the base of the machine. The drive is transmitted from the motor to the headstock by vee belts, belt tensioning being obtained by means of the adjusting screw 'C'. Access to the motor & hinged baseplate is by removal of cover 'D'.

The automatic contactor control panel is housed separately at the rear of the bed. For access to the panel, first isolate the mains supply, which releases the interlock between cover 'E' & isolator switch 'F'. The cover can then be removed.

The change gear cover 'G' is fitted with an electrical interlock 'H' which on removal isolates the motor drive. On replacing the cover the motor drive can then be re-started.